



PROTECT

combined with active carbon



698713

FH501



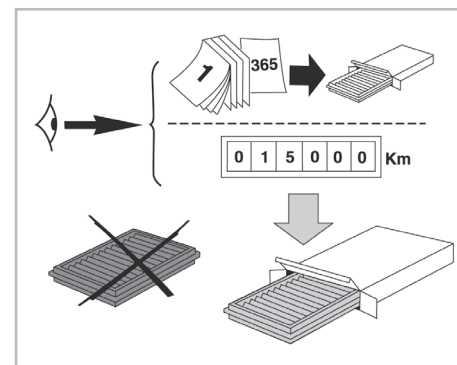
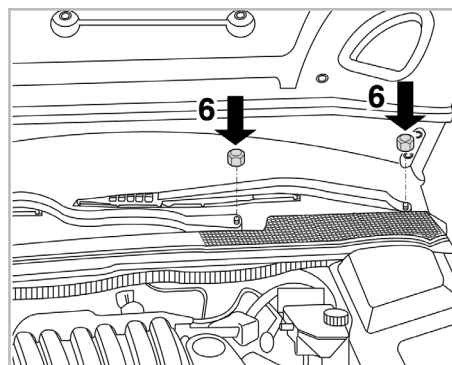
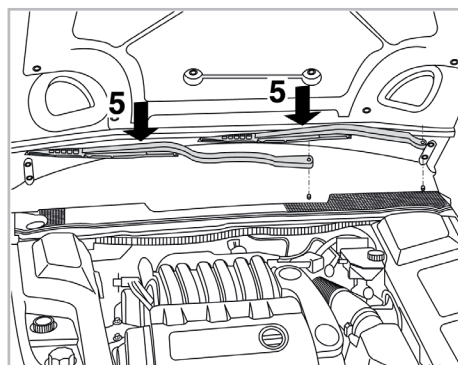
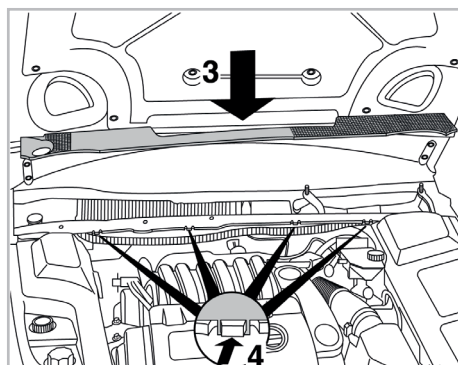
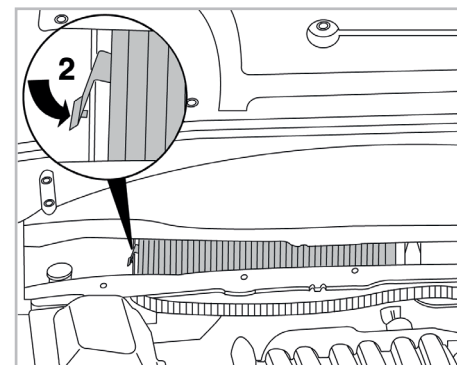
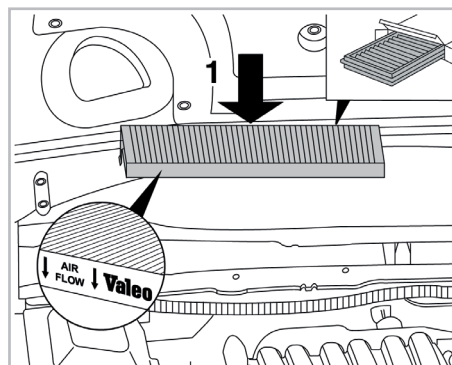
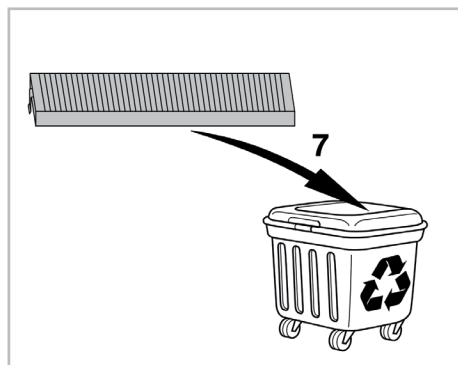
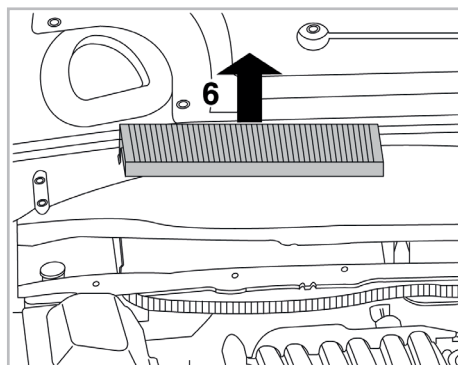
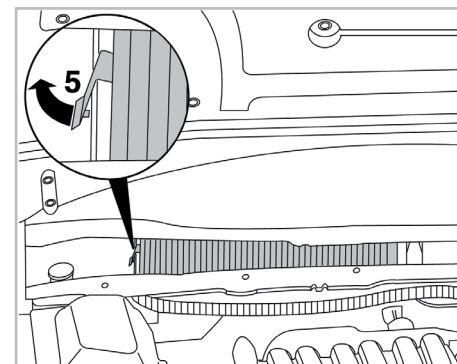
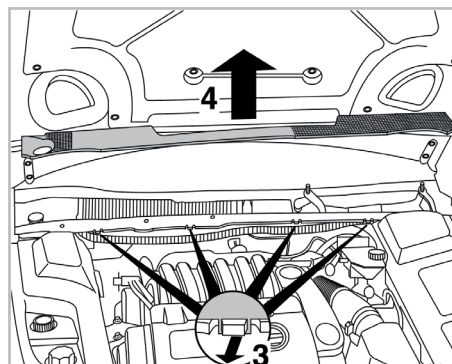
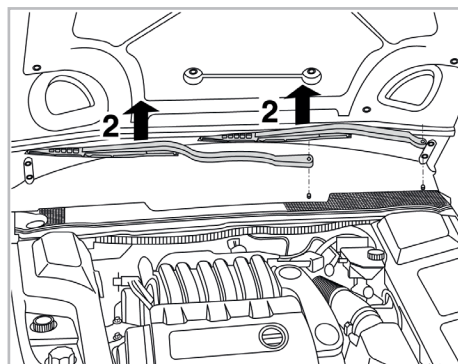
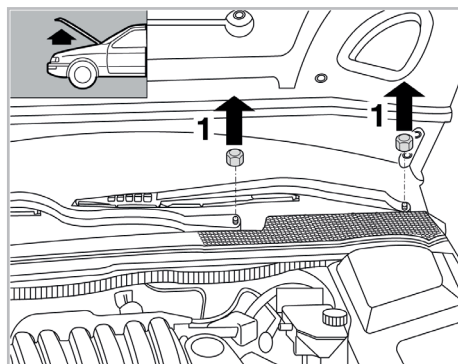
CA

WANT TO KNOW MORE?



www.valeo-techassist.com

FOR PEUGEOT 607 A/C+ (05/00 >)



Valeo Service - Société par Actions simplifiée - Capital de 12 900 000 € - 70, rue Playel, 93285 Saint-Denis Cedex - France - B 306 486 408 RCS Bobigny